

Much more efficient ambulatory surgeries:

The 500 XLE accompanies your patient from surgery preparation to surgery recover. The perfect chair to operate on.

500 XLE



- Ergonomic sitting and lying positions
- Continuously and electronically adjustable table positioning via hand remote control
- Three pre-programmable (memory) table positions and one permanent chair position
- Solid armrests as "chair assistance"
- Battery-supplied with eco-friendly accumulator
- Continuously adjustable motors for head-, back-, seat- and foot-rest
- Double rimmed premium Tente casters for safe and perfect manoeuvring
- Amazing cost-performance ratio



Battery-Unit

Powerful and eco-friendly for continuous work in your OR.

BATTERY
POWERED





Memory (M) hand control with three programmable chair positions and one separate entry button (R).



The 500 XLE head rest is multi-directional adjustable for almost all necessary positions.



Levers for total or directional lock of the swivel castor - comfortable maneuvering by one person. Double rimmed castors for safe standing position and perfect driving characteristics.



Detachable undercover foot control, continuously variable electronic adjustment of the head and total height.



Optimised for aesthetic surgery. Get the perfect surgery-position at the push of a button.



Great legroom for maximum patient access



- Upholstery advantages**
- comfortable
 - hygienic
 - anti-micro bacterial
 - low maintenance
 - low level of flammability
 - waterproof
 - mould resistant

Premium, glue less and seamless (germ resistant) deep-drawn upholstery using finest material.

More colours see page 57 or choose your colour online: www.ufsk-osys.com

The printed colour may differ slightly from the original colours.

195

197

196

581

354

542

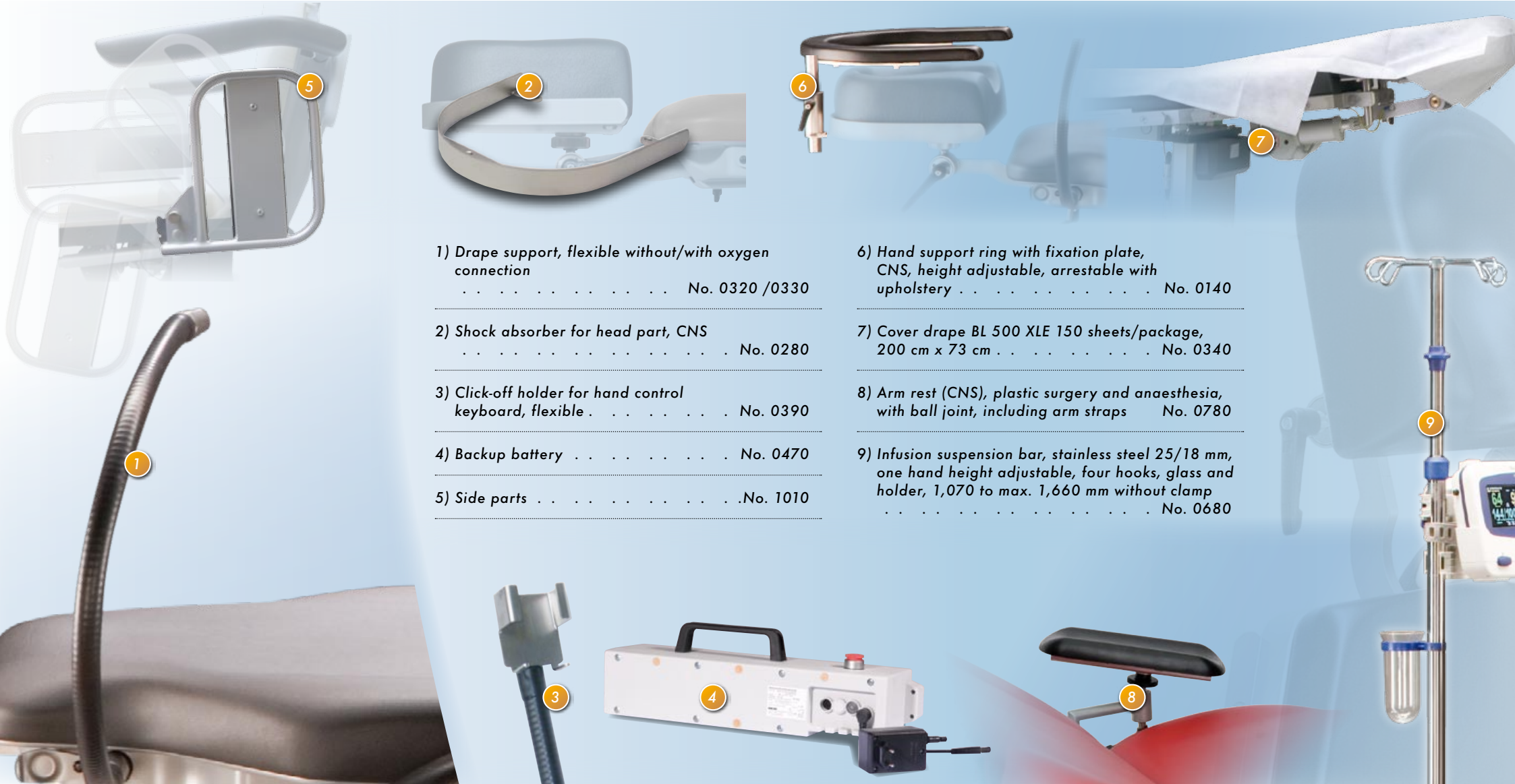
455

495

205

288

500 XLE OPTIONALS



1) Drape support, flexible without/with oxygen connection No. 0320 /0330

2) Shock absorber for head part, CNS No. 0280

3) Click-off holder for hand control keyboard, flexible No. 0390

4) Backup battery No. 0470

5) Side parts No. 1010

6) Hand support ring with fixation plate, CNS, height adjustable, arrestable with upholstery No. 0140

7) Cover drape BL 500 XLE 150 sheets/package, 200 cm x 73 cm No. 0340

8) Arm rest (CNS), plastic surgery and anaesthesia, with ball joint, including arm straps No. 0780

9) Infusion suspension bar, stainless steel 25/18 mm, one hand height adjustable, four hooks, glass and holder, 1,070 to max. 1,660 mm without clamp No. 0680



500 XLE Specifications

Chassis

| | |
|--|------------|
| Frame profile | 90 x 50 mm |
| Zinc-plated and powder-coated according to RAL | |
| Screws in Chrome-Nickel-Steel (CNS) | |
| Central brake on both sides, working on four wheels, two of them have independently adjustable wheel direction | |
| Double rimmed casters | ø125 mm |

Motors

Head part

| | | |
|--------------|---------------|---------------|
| Power 3000 N | lifting 29 mm | length 397 mm |
|--------------|---------------|---------------|

Back part

| | | |
|--------------|----------------|---------------|
| Power 6000 N | lifting 168 mm | length 336 mm |
|--------------|----------------|---------------|

Seat part

| | | |
|--------------|----------------|---------------|
| Power 3000 N | lifting 202 mm | length 395 mm |
|--------------|----------------|---------------|

Leg part

| | | |
|--------------|----------------|---------------|
| Power 6000 N | lifting 100 mm | length 345 mm |
|--------------|----------------|---------------|

Height adjustment

| | | |
|--------------|----------------|---------------|
| Power 3000 N | lifting 300 mm | length 467 mm |
|--------------|----------------|---------------|

Motors IPX4 with reed contacts, to be memorized

Control

All components according to IPX4
 Integrated lead-gel-accumulators
 2x12V 7,2 Ah
 As back-up-system exchangeable without tools
 Emergency stop button

Mains Plug

230V (110V) / 24 V, 20 VA, 830 mAh

Hand control

IC
 Separate driving of the motors, each up/down
 Three free programmable memory positions
 One reset button as entry button

UC foot control

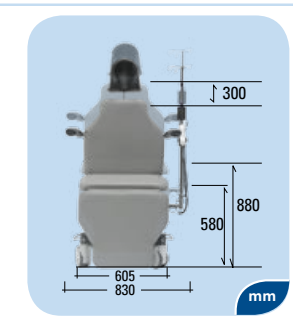
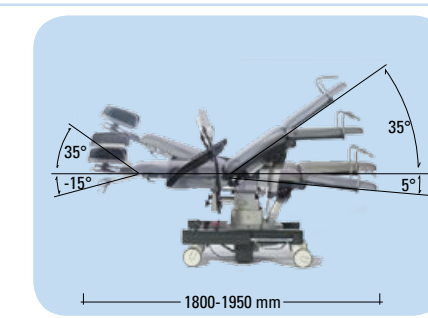
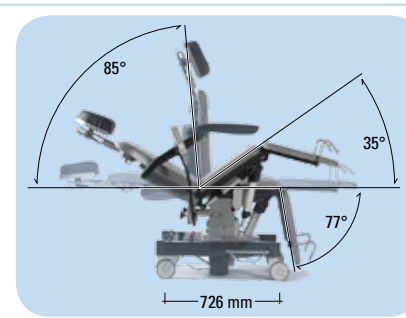
Detachable, for continuously variable height adjustment of head and total height

Further technical details

Detachable, swiveling, running along arm rests, completely PU foamed
 All touchable metal parts connected to the earth connection
 Detachable seat part for service friendly access to electric components

Max. load 250 kg / 550 lb

Weight 135 kg / 297 lb



500 XLE