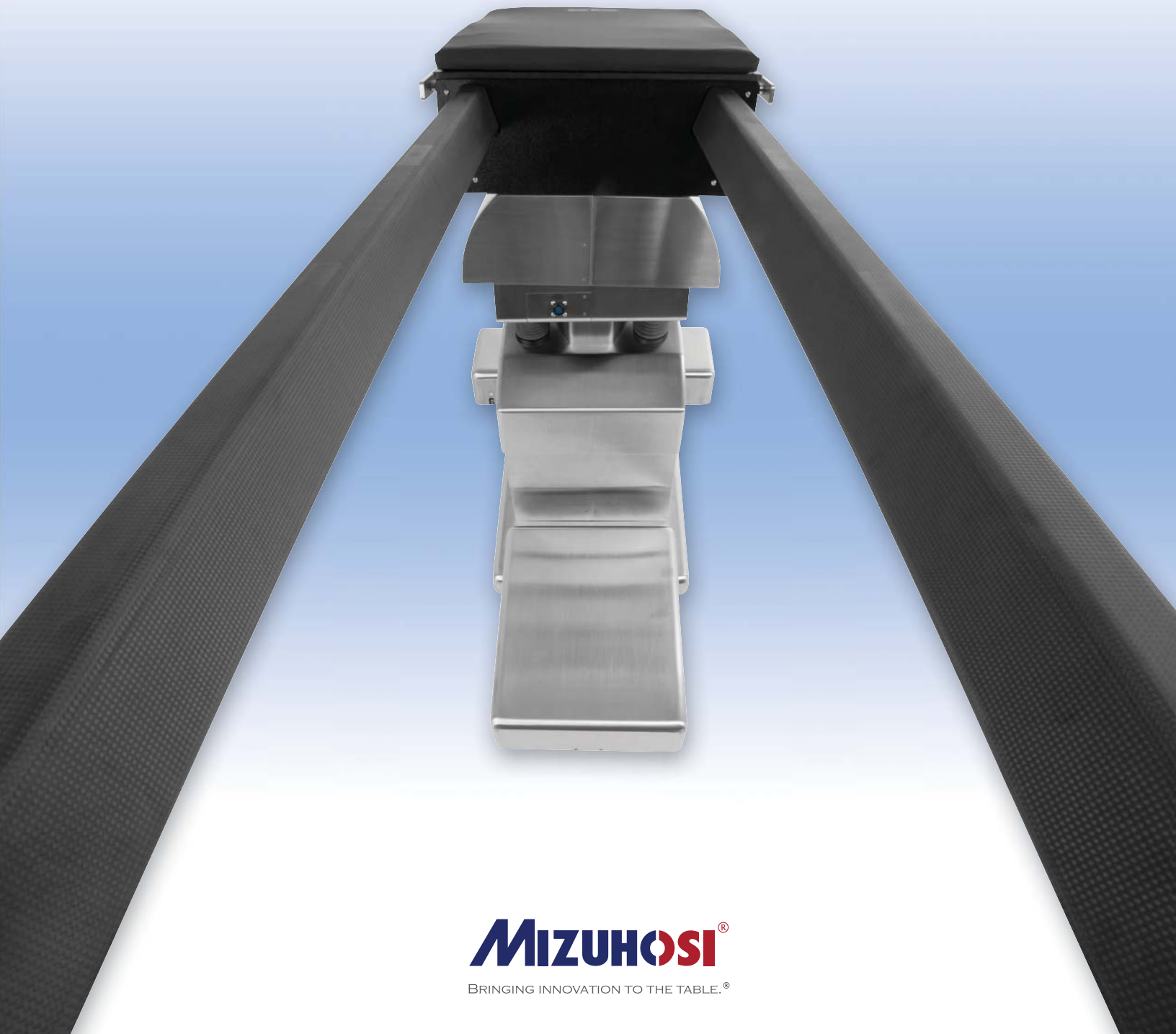


INSiTE[®]

A MULTI-PROCEDURAL SURGERY TABLE

Superior Imaging Access • Excellent Surgical Access



MIZUHOSI[®]

BRINGING INNOVATION TO THE TABLE.[®]



A multi-procedural surgery table.



Dedicated to giving surgeons better imaging access to

their patients during many types of procedures – including those requiring total access to the spine – INSITE® offers a radiolucent cantilevered frame equipped with customizable positioning pads and

components for prone, supine and lateral procedures. This provides broad flexibility and ease of set-up for the OR team regardless of patient positioning or head orientation.



55" (139.5 cm) of metal-free interface for unobstructed access

Our 20 years experience with prone patient positioning gives INSITE® all the advantages for surgical and imaging access with superb patient safety.

BENEFITS OF OPEN FRAME DESIGN

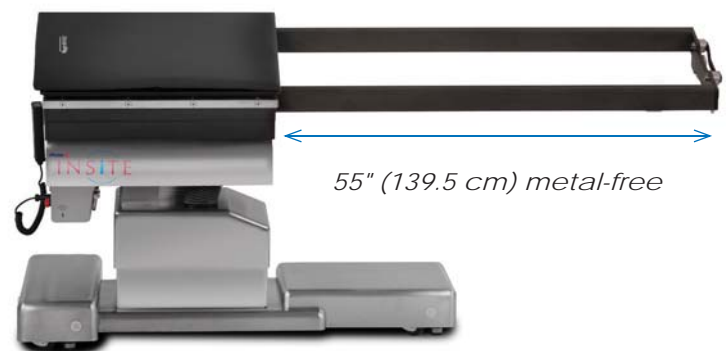
- Reduces vena cava compression
- Minimizes epidural venous bleeding
- Improves visualization at the surgical site

PRONE POSITIONING ADVANTAGES

- Exceptional total spine access
- Customizable pad and component placement to meet individual patient needs
- Cervical Mounting Device permits cranial stabilization options
- 5-way articulating arm boards easily remove or pivot out of the way for patient transfer

BETTER ACCESS TO PATIENT IMAGING

- 55" (139.5 cm) No Metal Zone
- Allows anterior, posterior, lateral and oblique intraoperative imaging views
- Interfaces with the BodyTom®, a portable, full body, multi-slice CT scanner
- Unrestricted O-arm® and C-arm access



Unobstructed imaging requirements in the OR.



Prone



Lateral



Supine/Pedestal End



Supine/Cantilever End

CHOOSE THE PROCEDURE, INSITE® ADAPTS

- Positioning flexibility – prone, supine and lateral for any procedure
- One piece, carbon fiber Supine Top converts the open prone frame for supine or lateral patient positioning
- Patient head orientation can be at the cantilever or pedestal end
- Universal Side Rail Adaptor and Retractor Adaptor for mounting ancillary equipment
- Rail mounted IV pole keeps the floor clear for easy access of imaging devices

EASY HAND PENDANT CONTROL

- Controls all table functions
- Back lit for easy viewing in darkened rooms
- LEDs indicate table top level, floor lock status and battery status
- Return to Level Feature
- Connect Hand Pendant from the cantilever or pedestal end

PROVEN HEAD AND EYE PROTECTION

- ProneView® Protective Helmet System offers head and eye protection for the prone patient while allowing anesthesia to monitor the patient
- Over 2,000,000 procedures without patient eye injury



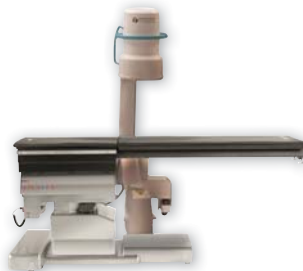
TEMPUR-PEDIC® MEDICAL PAD TECHNOLOGY

- Incorporated in all patient surfaces
- Equalizes pressure load on patient during surgery
- Contours to patient anatomy with support
- Enhances patient comfort

Real-Time intraoperative imaging made easier in the surgical suite.

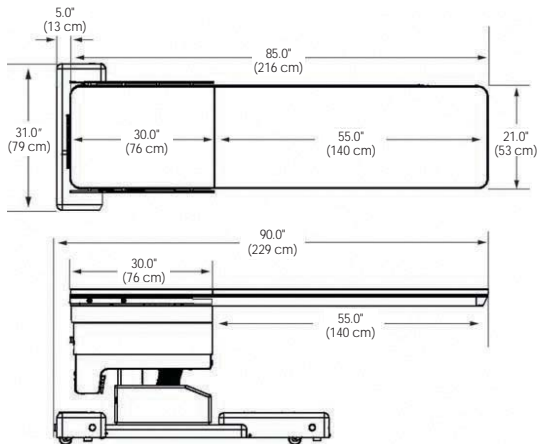


The INSITE® Surgery Table is designed to optimize interaction with today's imaging devices including BodyTom®, C-arm and O-arm® technologies.



STANDARD FEATURES

Self Compensating, Power Floor Locks
 Stainless Steel Shrouded, Low Profile Base
 AC or Battery Operated
 Emergency Stop
 Emergency Floor Lock Override System
 Standard OR Accessory Rails on Pedestal End



SPECIFICATIONS 6844 INSITE® Surgery Table

Total Table Length90" (229 cm)
 Table Top Length85" (216 cm)
 Pedestal Top Width.....21" (53 cm)
 Pedestal Top Length.....30" (76 cm)
 Imaging Area Length.....55" (140 cm)
 Imaging Area Width21" (53 cm)
 Height Range32-42" (81-107 cm)
 Patient Weight Capacity450 lbs. (205 kg)
 Lateral Roll (tilt).....± 20°
 Trendelenburg / Reverse Trendelenburg 15°

MIZUHO®

MIZUHO OSI
 30031 AHERN AVENUE
 UNION CITY, CA 94587-1234/USA
 TELEPHONE: 510-429-1500
 TOLL FREE: 800-777-4674
 FAX: 510-429-8500
 INTERNATIONAL: +1-510-429-1500
 WWW.MIZUHO.SI.COM
 WWW.NEWHIPNEWS.COM



EC REP Emergo Europe • Molenstraat 15 • BH The Hague • The Netherlands • Tel: (31) (0) 70 345-8570 • Fax: (31) (0) 70 346-7299

Mizuho OSI's ISO13485 Quality Management System is certified by TÜV Rheinland® LGA Products GmbH TÜVRheinland®

Note: Mizuho OSI is constantly improving its products, all specifications are subject to change without notice.

INSITE® is a registered trademark of Mizuho OSI. BodyTom® is a registered trademark of NeuroLogica Corp., O-arm® is a registered trademark of Medtronic, Inc., DORO® is a registered trademark of pro med, Inc., Tempur-Pedic® is a registered trademark of Tempur-Pedic North America, LLC., ProneView® is a registered trademark of Dupaco Inc.

Mizuho OSI is a Delaware Corporation. Manufactured in the USA

© 2014 Mizuho OSI **REF** NW0639 Rev D

ORDERING INFORMATION

REF

6844..... NISITE® Surgery Table; 120V, 60Hz
 6844I..... NISITE® Surgery Table; 220/230V, 50/60Hz



STANDARD COMPONENTS

Hand Pendant
 Patient Safety Straps (2)
 INSITE® ProneView® Patient Care Kit, 3/cs
 Power Cord
 Table Storage Cover
 Prone Positioning:

- ProneView® Protective Helmet System
- Patient Head Support Plate (Face Plate)
- Tempur-Pedic® Medical Chest Pad
- Contoured Tempur-Pedic® Medical Hip Pads (1 pr)
- 5-Way Adjustable, Removable Arm Boards w/ 1" (2.5 cm) Tempur-Pedic® Medical Pads (2)
- Leg Board w/ 1" (2.5 cm) Tempur-Pedic® Medical Pad
- Retractor Adaptor, Prone Frame
- Buttocks Strap
- Cervical Mount, Coupler II Main Assembly

 Supine Positioning:

- Supine Top w/ 1" (2.5 cm) Tempur-Pedic® Medical Pad
- Universal Side Rail Adaptor, Supine Top (2)

OPTIONAL ACCESSORIES

REF

6800-7140 Tempur-Pedic® Medical 2" (5 cm) Full Table Top Pad
 6844PV NISITE® ProneView® Patient Care Kit, 6/cs
 6747 NISITE® GentleTouch® Patient Care Kit, 6/cs
 5873 Coupler II
 5873-300 Radiolucent DORO® Adaptor, Coupler II
 6910-3034 DORO® Skull Clamp, Radiolucent
 6910-3003 DORO® Skull Clamp, Aluminum
 6910-3006-2 DORO® Skull Pins, Titanium Tip, Adult, 12/pk of 3 pins each
 6910-3006-3 DORO® Skull Pins, Titanium Tip, Child, 12/pk of 3 pins each
 6910-3006-5 DORO® Skull Pins, Stainless, Adult, 12/pk of 3 pins each
 6910-3006-6 DORO® Skull Pins, Stainless, Child, 12/pk of 3 pins each
 6946 MIZUHO OSI Positioning Pillow, Standard
 6947 MIZUHO OSI Positioning Pillow, Queen
 6900-23 Rail Mounted IV Pole
 6800-350 Rail Mounted Drape Rod
 6900-51 Universal Foot Board
 5356 Pivoting Arm Board w/ 2" (5 cm) Tempur-Pedic® Medical Pad
 5857 Cross Arm Support w/ 1" (2.5 cm) Tempur-Pedic® Medical Pad
 5364 Lateral Arm Board Unit w/ 2" (5 cm) Tempur-Pedic® Medical Pad
 5393 Clark Socket
 5394 Aluminum Side Rail Socket
 5300 Lateral Positioner Set
 5301 Deluxe Lateral Positioner Set